

Rear Rack Cover

Models:

RRC-3-19, RRC-7-19 (for 19" Racks)

RRC-3-23, RRC-7-23 (for 23" Racks)

INSTALLATION GUIDE

General Description

The Rear Rack Cover (RRC) is designed to prevent damage or injury from accidental contact with wires and "live" terminals on the rear of rackmounted power and communications equipment. The solid plastic panels of the RRC enclose and protect a rear area of 3 or 7 rack units vertically (depending on model), either 19" or 23" wide (depending on model) and 14" or 17" deep (depending on installation configuration). The rear panel is ventilated so that airflow through fan-cooled components is unimpeded. Multiple RRC's may be stacked to accommodate various system heights.

Materials List and Diagram References

Following is a list of materials provided, as well as an alphabetical reference for each part on the installation diagram on the reverse of this sheet. Prior to installation, inventory the enclosed parts and contact the factory if there are any missing items. *Note: The hardware list for 3 RU and 7 RU models is identical. Only the height of the rear and side panels varies.*

<u>Quantity</u>	<u>Part</u>	<u>Diagram Reference</u>
1 ea.	Rear Panel (ventilated)	A
2 ea.	Side Panel (solid)	B
1 ea.	Top Panel (solid)	C
4 ea.	14" Main Bracket	D
4 ea.	3" Bracket Extender	E
16 ea.	Hex/Slot Head Screw, 12-24 x 1/2"	F
18 ea.	Quick-Release Fastener Plunger	G
18 ea.	Quick-Release Fastener Grommet	H

Installation Tips

Install the RRC as shown in the Installation Diagram, noting the following installation tips/options:

1) The RRC plastic panels are shipped from the factory with a translucent film on both sides to protect the surfaces against scratching. The film may be left on during installation then easily peeled off of the panels when finished to provide an unobscured view of the rear of the rack.

2) Attach the brackets to the rack rear using the provided screw/washer sets prior to attaching the plastic panels. Installation of the extender brackets is optional, in case additional rear clearance is needed.

M-RRC
As of AUG 2001



U.S.A. HEADQUARTERS
P.O. Box 1306, Newport Beach, CA 92663
Phone: 714-751-0488 Fax: 714-957-1621
E-Mail: sales@newmarpower.com

Telecom Power Products
www.newmartelecom.com

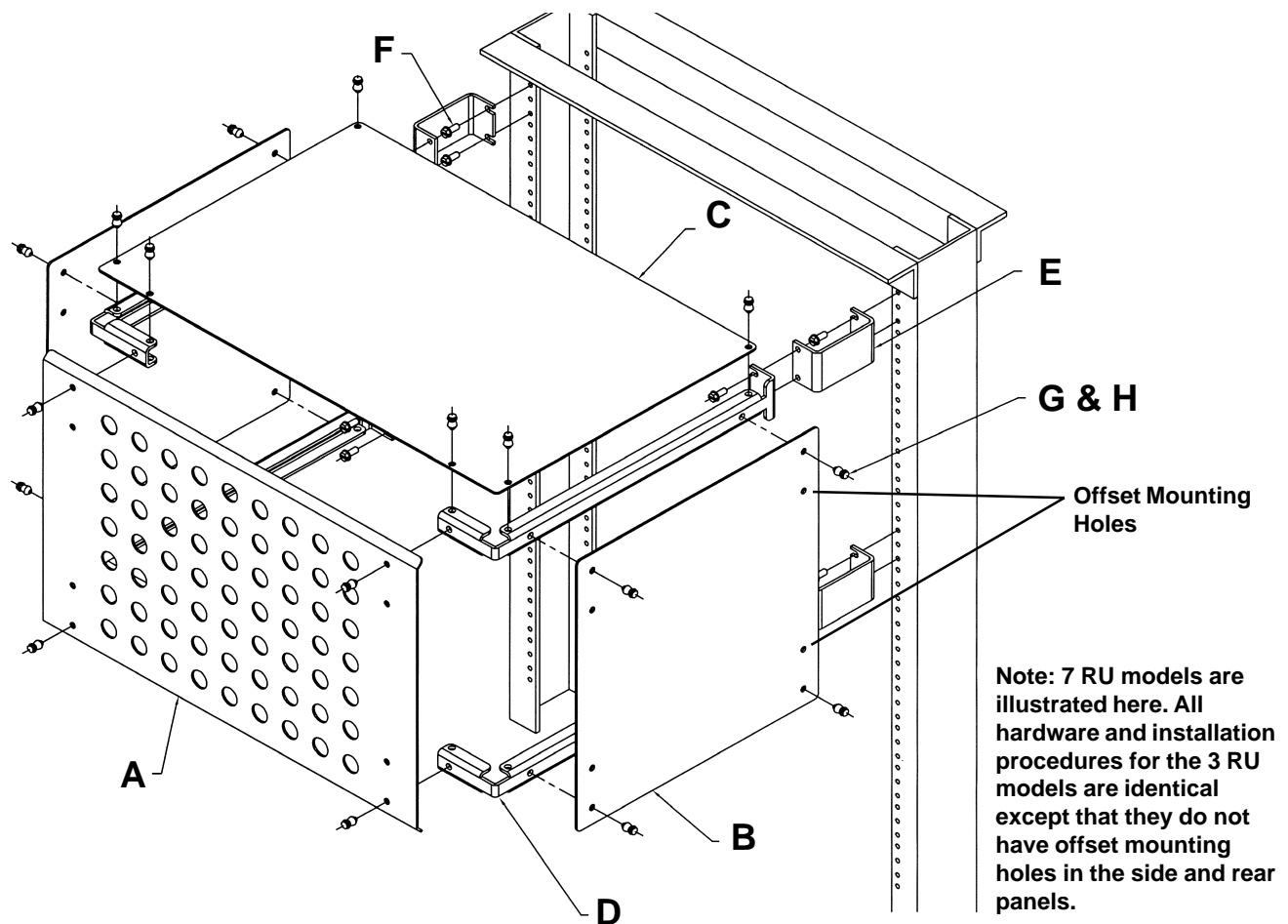
EURO WAREHOUSE
Phone: +31-35-603-2494
Fax: +31-35-603-2149

3) Note (7 RU models only): Extra mounting holes are provided in the side and rear plastic panels to provide flexible mounting options. These holes are offset 1 rack unit from the top and bottom mounting holes to allow 6 or 5 RU spacing of the brackets in case of interference from any other rear-mounted component, such as a bus bar assembly. (A typical 7 RU bracket spacing installation is illustrated below. *When stacking two or more RRC's using extender brackets, use the 1 RU offset holes to allow access to the bracket mounting screws.*) Note also that holes are also provided on the top and bottom of each bracket so that the top panel may be used as a bottom cover, if preferred.

4) After the brackets are attached to the rack, check for proper alignment between mounting holes in the panels and the brackets. Insert each quick-release fastener grommet into the appropriate panel hole so that it locks into place. Insert the mating quick-release fastener plunger into the grommet, then withdraw it partially to allow compression of the grommet tip. Align the plunger/grommet assemblies in the panel with the bracket holes; with the plunger withdrawn, the grommet tip should slide in easily. Fully insert each plunger to secure the panel. *Note: If necessary for cable routing, cut-outs in the panels may be made using tin snips or similar cutting tool.*

5) If the panels must be removed for access to the rack components, simply withdraw the plunger partially and the grommet will be released from the mounting hole. There is no need to remove the plunger/grommet assembly from the panel.

Rear Rack Cover Installation Diagram



U.S.A. HEADQUARTERS

P.O. Box 1306, Newport Beach, CA 92663
 Phone: 714-751-0488 Fax: 714-957-1621
 E-Mail: sales@newmarpower.com



Telecom Power Products
 www.newmartelecom.com

EURO WAREHOUSE

Phone: +31-35-603-2494
 Fax: +31-35-603-2149